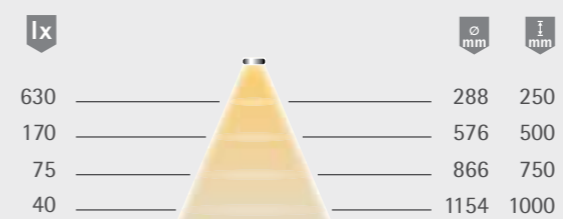




Light distribution diagram 60°



Light box



Swing

Advantages

- ▶ Pivotal, can avoid glare
- ▶ Design classic

Examples of use

- ▶ Shelves
- ▶ Display cabinets

Features

- ▶ Recessed luminaire for 68 mm mounting diameter
- ▶ Wide beam without shadows

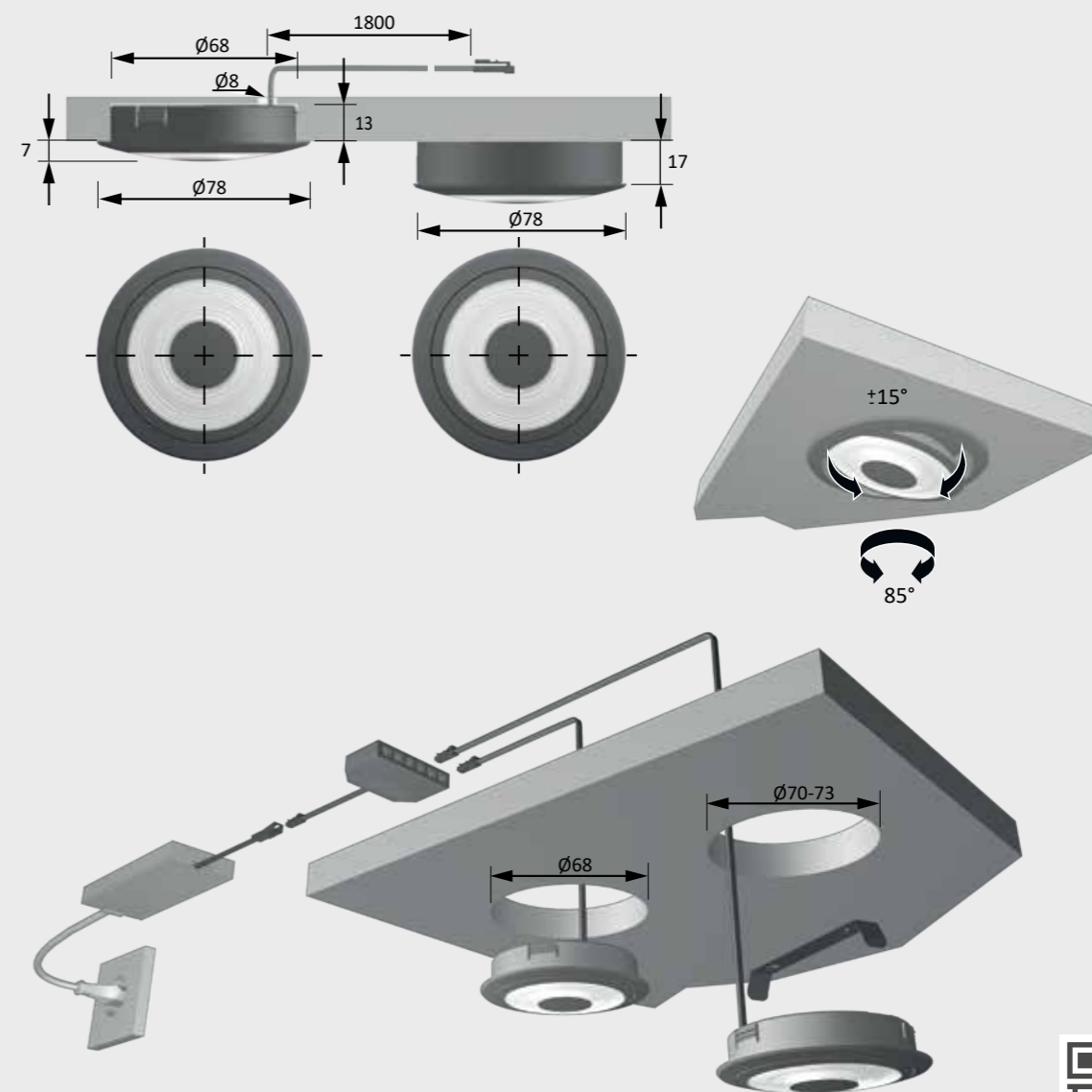
Technical details



12V

Luminaire type: LED recessed light
 Type of lighting: Functional / accent lighting
 Surface finish: Aluminium look
 Operating voltage: 12 V DC
 Light colour: WarmWhite/ NeutralWhite
 Colour rendering: RA >90
 Luminous flux: 130 lm
 Luminaire efficiency: 52 lm/W
 Light source efficiency: 80 lm/W
 Life span: 40,000 h (L70)
 Power consumption: 2.5 W
 Dimmable: Yes/PWM/Smart.home
 Beam angle: 90°
 Half value angle: 60°
 Test mark and symbols: CE, RoHS, Energy Star, ENEC
 Protection rating: IP 20
 Installed diameter: 68 mm
 Supply lead: 1800 mm
 Plug connector: LED mini
 Connection to: M1 plug connector LED ballast

Dimensional drawing / installation



Swing

	WarmWhite	NeutralWhite
Aluminium look	32 903 11	32 903 01

Accessories*

Surface-mounted housing	36 151 06
LED ballast 20 W with flat Euro plug	31 016 01
M1 extension lead 1800 mm	36 768 01
M1 3-way distributor 180 mm	36 852 01
M1 6-way distributor 2000 mm	36 125 01

* Further accessories in section Switch systems