



ChannelLine H

Advantages

- ▶ Surface-mounted profile for corner
- ▶ Almost rimless illuminated surface
- ▶ Round cover for wide light emission
- ▶ Can be screwed on both sides

Features

- ▶ Homogeneous light line with Versa Inside from 120 LED/m
- ▶ Very wide beam angle of approx. 90°

Examples of use

- ▶ Furniture corners
- ▶ Kitchen midway sections

Order information

- ▶ Use of feeders and connectors in the profile possible
- ▶ To increase the luminosity, two Versa Inside can be attached side by side
- ▶ For selection see ChannelLine overview

Technical details



Recommended for:

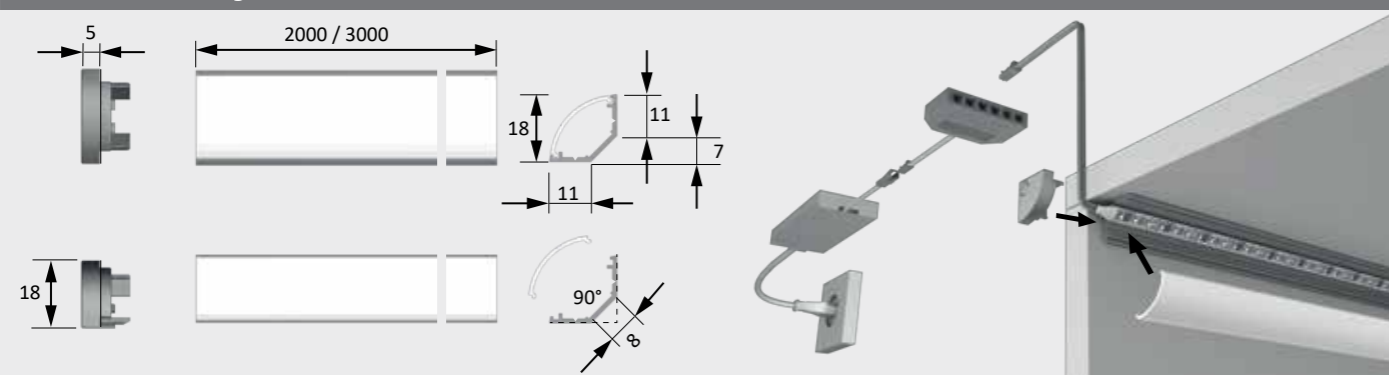
Versa Inside 120
Versa Inside 160



ChannelLine H

| | Opal |
|------------------------------|-----------|
| 2000 mm | 55 706 01 |
| 2000 mm (set of 10) | 55 706 03 |
| 3000 mm | 55 706 02 |
| 3000 mm (set of 10) | 55 706 04 |
| End cap (set of 2) lacquered | 25 559 01 |
| Sample piece 300 mm | 50 020 01 |
| Cleaning cloth (isopropanol) | 36 502 01 |

Dimensional drawing / installation



ChannelLine F

Advantages

- ▶ Versatile use
- ▶ Entry-level price

Features

- ▶ Beam angle and homogeneity can be varied according to the milling depth

Examples of use

- ▶ For milling into the wood

Order information

- ▶ Use of feeders and connectors possible in profile
- ▶ For selection see ChannelLine overview

Technical details



Recommended for:

Versa Inside 120
Versa Inside 160



ChannelLine F

| | Opal |
|---------------------------|-----------|
| 2000 mm | 55 664 01 |
| 3000 mm | 55 664 02 |
| 3000 mm (set of 10) | 55 641 13 |
| Sample piece cover 300 mm | 50 012 01 |

Dimensional drawing / installation

