



## ChannelLine i3

### Advantages

- ▶ High quality deep recessed profile
- ▶ Almost rimless illuminated surface
- ▶ Glare-free and concentrated light emission
- ▶ For flush mounting

### Features

- ▶ New Opal cover - 30% more light and only slight change in light colour
- ▶ Homogeneous light line with Versa Inside from 120 LED/m
- ▶ Narrow beam angle of approx. 35°

### Examples of use

- ▶ Accent lighting in display cabinets or shelves
- ▶ Flush with storage surfaces on the wall

### Order information

- ▶ For selection see ChannelLine overview

### Technical details



#### Recommended for:

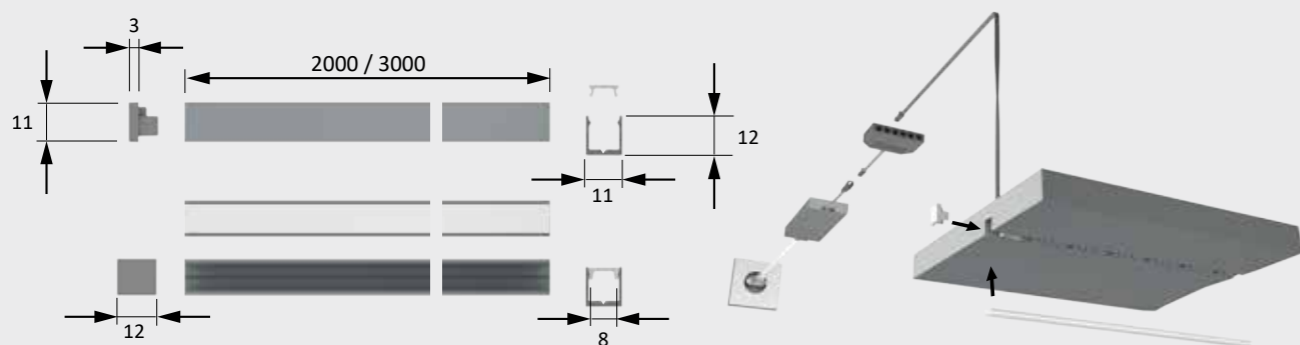
- Versa Inside 120
- Versa Inside 160



#### ChannelLine i3

	Alu/Opal
2000 mm	55 608 01
2000 mm (set of 10)	55 608 11
3000 mm	55 608 02
3000 mm (set of 10)	55 608 12
End cap (set of 2) lacquered	25 985 01
Sample piece profile 300 mm	50 025 01
Sample piece cover 300 mm	50 026 01
Cleaning cloth (isopropanol)	36 502 01

#### Dimensional drawing / installation



## ChannelLine L

### Advantages

- ▶ Recessed profile with chrome-plated design strip
- ▶ Glare-free light emission

### Features

- ▶ Homogeneous light line with Versa Inside from 80 LED/m
- ▶ Plastic profile

### Examples of use

- ▶ Wardrobe halo lighting
- ▶ Mirror frame lighting

### Technical details



#### Recommended for:

- Versa Inside 80
- Versa Inside 120



#### ChannelLine L

	Opal
2000 mm	55 759 01
2000 mm (set of 10)	55 759 03
3000 mm	55 759 02
3000 mm (set of 10)	55 759 04
Sample piece 300 mm	50 032 01

#### Dimensional drawing / installation

