



ChannelLine A

Advantages

- ▶ High quality recessed profile
- ▶ Homogeneous and glare-free light line
- ▶ Can be installed at sight level

Features

- ▶ Homogeneous light line with Versa Inside from 80 LED/m
- ▶ Beam angle in installed condition is approx. 35°

Examples of use

- ▶ Edge lighting for kitchen countertops or vertically between fronts
- ▶ Backlighting for low or sideboards

Order information

- ▶ Use of feeders and connectors possible in profile
- ▶ For selection see ChannelLine overview

Technical details



Recommended for:

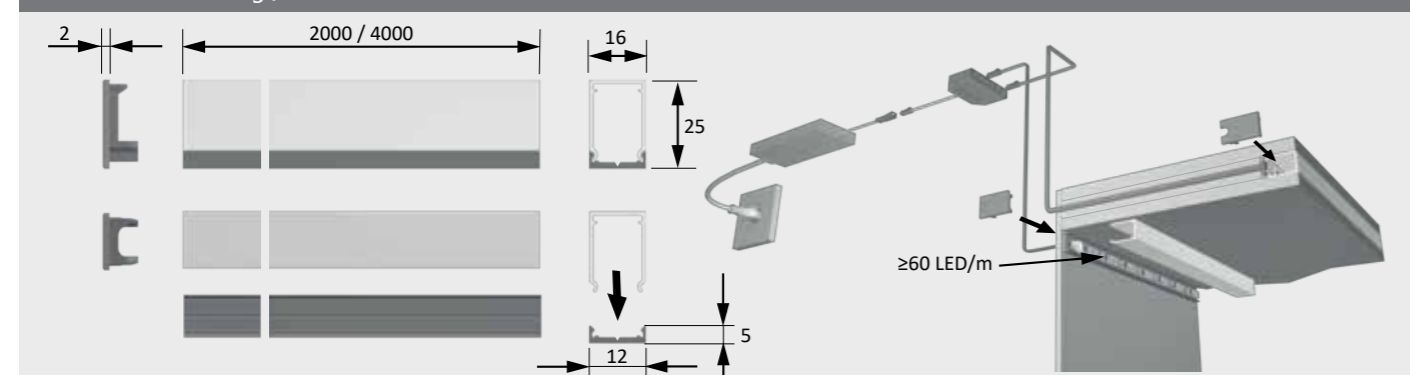
- Versa Inside 80
- Versa Inside 120
- Versa Inside MultiColor
- Versa Inside MaxiColor



ChannelLine A

	Opal
2000 mm	38 817 03
4000 mm	38 817 02
4000 mm (set of 5)	38 817 12
End cap (2 units per set)	25 567 01
Sample piece 300 mm	50 000 01
Cleaning cloth (isopropanol)	36 502 01

Dimensional drawing / installation



ChannelLine K

Advantages

- ▶ Recessed profile made of opal plastic
- ▶ Homogeneous and glare-free light line

Features

- ▶ Homogeneous light line with Versa Inside from 40 LED/m

Examples of use

- ▶ Ideal for rear wall backlighting
- ▶ Versatile for use as accent lighting

Order information

- ▶ Application picture shows ChannelLine K with Versa Inside 40
- ▶ For selection see ChannelLine overview

Technical details



Recommended for:

- Versa Inside 40
- Versa Inside 80



ChannelLine K

	Opal
2000 mm	55 716 11
2000 mm (set of 10)	55 716 13
3000 mm	55 716 12
3000 mm (set of 10)	55 716 14
Sample piece 300 mm	50 029 01
Cleaning cloth (isopropanol)	36 502 01

Dimensional drawing / installation

