



## USB socket

### Advantages

- ▶ USB charger socket
- ▶ for connection of 2 devices

### Features

- ▶ For drill-in mounting
- ▶ Quick charging of mobile devices

### Examples of use

- ▶ USB devices

### Order information

- ▶ electronic ballast must have at least 15 W spare capacity

### USB socket

USB socket

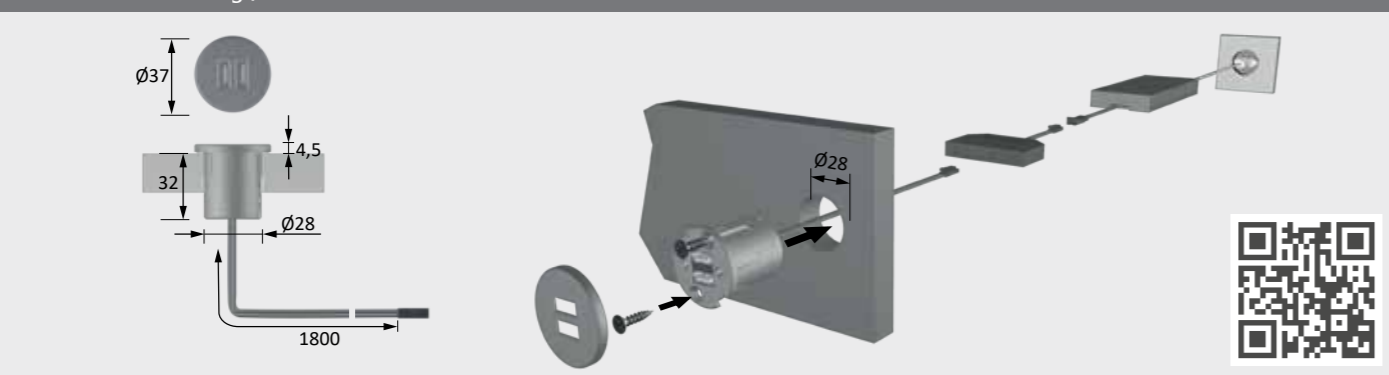
30 574 02

### Technical details



Type:	Flush installation
Surface finish:	Aluminium look
Operating voltage:	12 V DC
Charging voltage:	5 Volt DC
Charging current:	max. 2.1 A
Test mark and symbols:	CE
Plug connector:	LED mini M1 plug connector

### Dimensional drawing / installation



## LitePac

### Advantages

- ▶ Power supply without mains socket
- ▶ Integrated on/off switch
- ▶ High capacity
- ▶ For all 12 Volt DC lights
- ▶ M1 connection, distributor allowed

### Examples of use

- ▶ Presenting 12 Volt DC lights
- ▶ For lighting solutions in the table
- ▶ For the mobile presenter

### Order information

- ▶ Suffices for about 12 hours with connection of approx. 10 W (1m Versa 160 / 2m Versa 80)
- ▶ May only be used with charger 31 152 01

### LitePac

LitePac 6000 - Li-Ion battery 12 Volt DC

31 151 01

Plug-in power supply 12.6 Volt DC / 1.5 A charger for LitePac 6000

31 152 01

### Technical details



Output voltage:	12 Volt DC
Charging voltage:	12.6 Volt DC
Power:	max. 36 W
Capacity:	6000 mAh
Recharge time:	approx. 4 h
Test mark and symbols:	CE
Plug connector:	LED Mini M1 DC charger socket

### Dimensional drawing / installation

