



IR Door Switch

Advantages

- ▶ Particularly small infrared sensor for drilling into place
- ▶ Entry-level price

Features

- ▶ Only 8 mm drill hole required

Examples of use

- ▶ Door contact switch

Technical details



12V

For use with: LED lights
 Surface finish: Aluminium look
 Max. switching power: 12 Volt DC-36 W
 Test marks and symbols: CE, RoHS, Energy Star
 Switching distance: see drawing
 Sensor lead: 1000 mm
 Supply lead: 1000 mm
 Switching lead: 1000 mm
 Standby: <0.1 W

IR Door Switch

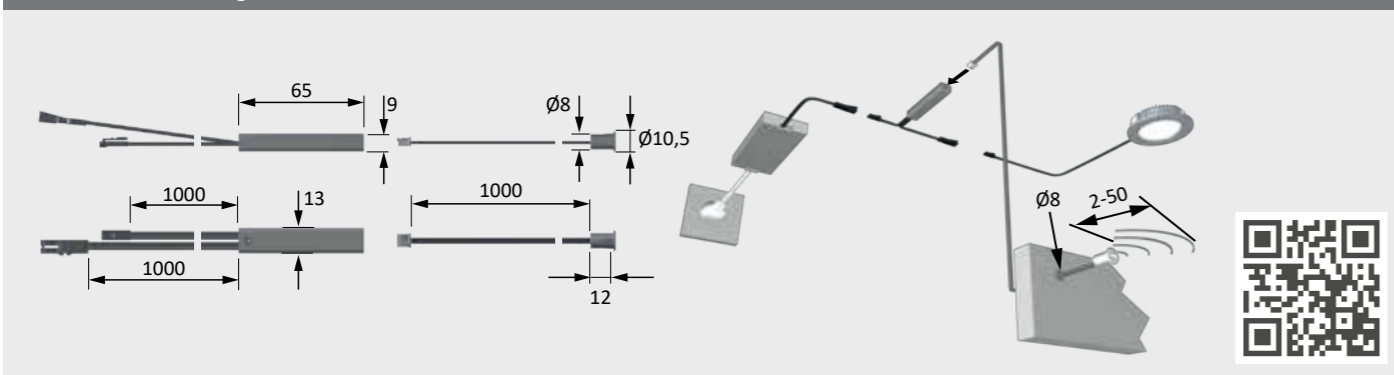
IR Door Switch	31 033 01
----------------	-----------

Accessories

Repeater 12 Volt DC*	30 263 07
----------------------	-----------

* A repeater enables the control of a lighting circuit of more than 36 W at 12 volts DC.

Dimensional drawing / installation



LED Dimmer

Advantages

- ▶ LED dimmer
- ▶ Robust metal switch button

Features

- ▶ Memory function for power failure
- ▶ The LED dimmer enables switching and dimming of LED luminaires or LED luminaire groups

Examples of use

- ▶ Switching and dimming of furniture lights

Order information

- ▶ LED dimmer must not be used in combination with sensor or wireless switches
- ▶ Only for use with dimmable LED luminaires

Technical details



12V

For use with: LED lights
 Surface finish: Stainless steel
 Max. switching power: 12 Volt DC-36 W
 Test mark and symbols: CE, RoHS, Energy Star
 Line lengths: see drawing
 Standby: <0.5 W
 Plug connector: LED mini M1 plug connector

LED dimmer/switch

Dimmer	30 538 01
--------	-----------

Accessories

Repeater 12 Volt DC*	30 263 07
----------------------	-----------

* A repeater enables the control of a lighting circuit of more than 36 W at 12 volts DC.

Dimensional drawing / installation

