



## S-Mitter Basic MultiWhite

### Advantages

- ▶ 1-channel wireless switch and dimmer
- ▶ Stepless adjustment of the light colour from CoolWhite to ExtraWarmWhite
- ▶ Can be integrated in a smart home

### Features

- ▶ Memory function for power failure
- ▶ Storage of up to 4 light scenes
- ▶ Remote control and smart receiver are in the set programmed in the set
- ▶ Set works independently or in the smart home network

### Order information

- ▶ Set consists of S-Mitter Basic Smart Remote Control and Smart Receiver
- ▶ Plus Set consists of S-Mitter Basic Smart Remote Control, Smart Receiver and a 60 W ballast
- ▶ The Smart.home overview shows how our switch systems can be combined with each other and with third-party suppliers

### S-Mitter Basic (1-channel wireless switch and dimmer)

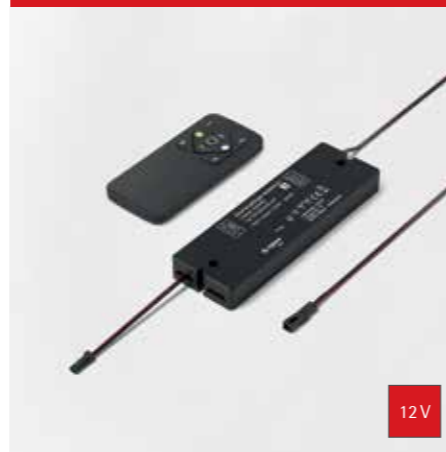
S-Mitter Basic MultiWhite Smart Set	31 123 01
S-Mitter Basic MultiWhite Smart Set Plus	31 124 01
S-Mitter MultiWhite Basic Smart Remote Control	31 125 01

### Accessories\*

Smart Receiver MultiWhite 1-Channel	31 118 01
Extension set MultiWhite 12 Volt DC-30 W, receiver and electronic ballast	31 131 01
Extension set MultiWhite 12 Volt DC-60 W, receiver and electronic ballast	31 128 01
Wall mount Smart Basic magnetic	36 257 01

\* Further accessories in section Switch systems/Ballasts and leads

### Technical details



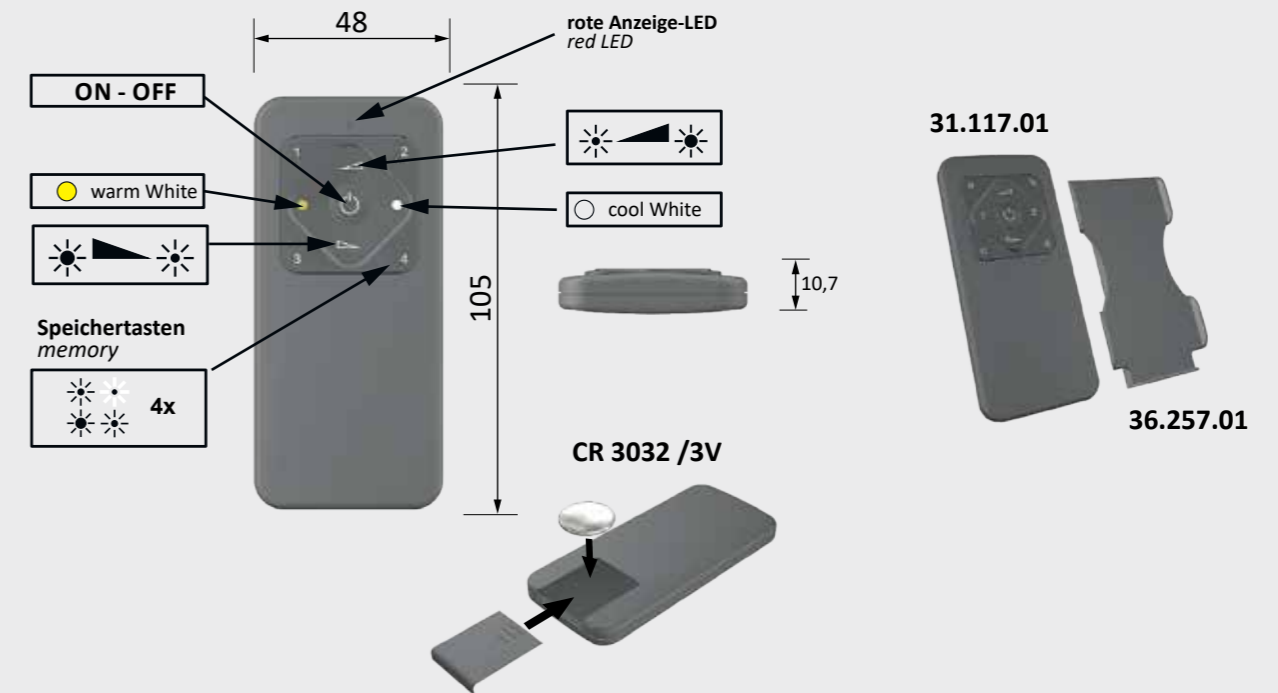
For use with: LED lights  
 Transmitter surface: soft lacquer black  
 Receiver housing: black  
 Max. switching power: 12 Volt DC-36 W/60 W  
 Test marks and symbols: CE, RoHS, Energy Star  
 Supply lead: 160 mm  
 Switching lead: 160 mm  
 Standby receiver: <0.3 W  
 Plug connector: LED M1 plug connector



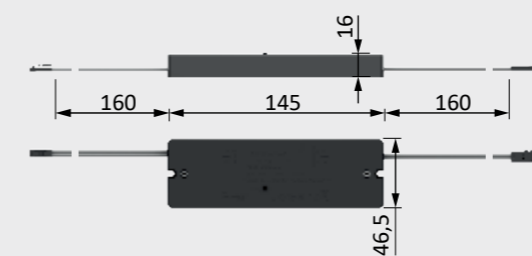
ZigBee controller for the control of MultiWhite lights via 2-wire system

- Uses the Zigbee 3.0 protocol
- Supports Zigbee TouchLink
- Adding devices to the self-configuring Zigbee Touchlink network possible
- Compatible with Zigbee Gateway universal products
- Compatible with CCT Zigbee universal remote controls

### Dimensional drawing / installation



31.123.01 Smartempfänger smartreceiver



31.124.01 Smartempfänger smartreceiver

