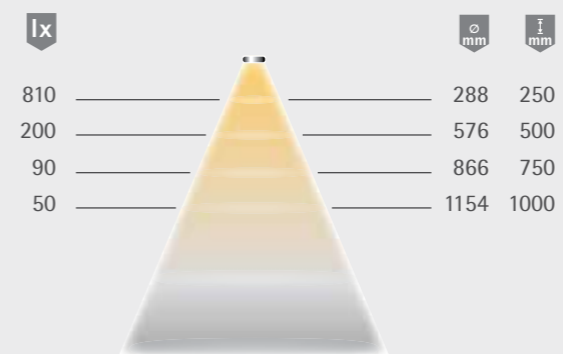
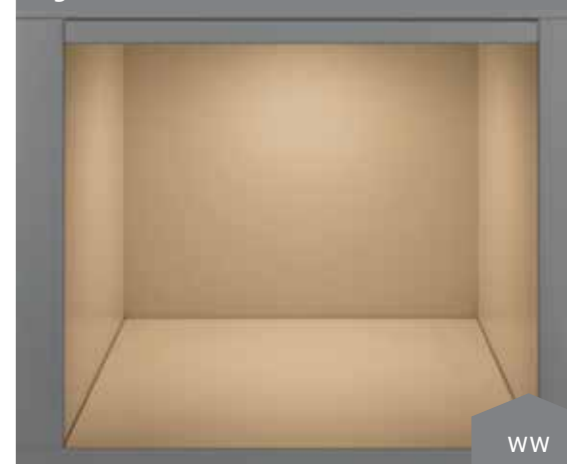


Light distribution diagram 60°



Light box



## Eco Spot

### Advantages

- ▶ Entry-level recessed spotlight
- ▶ Compact light
- ▶ Evenly illuminated area

### Examples of use

- ▶ Shelves
- ▶ Display cabinets

### Features

- ▶ For 58 mm mounting diameter
- ▶ Wide beam without shadows

### Eco Spot

	WarmWhite	NeutralWhite
Stainless steel look	32 153 19	32 153 09
Stainless steel look (set of 10)	32 153 69	32 153 59

### Accessories\*

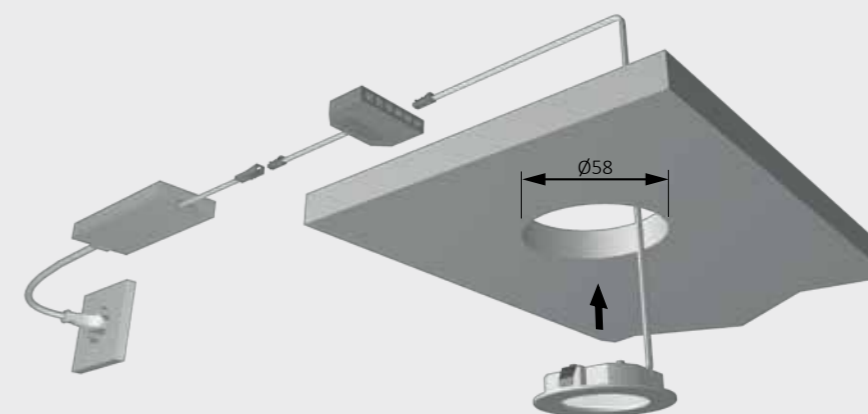
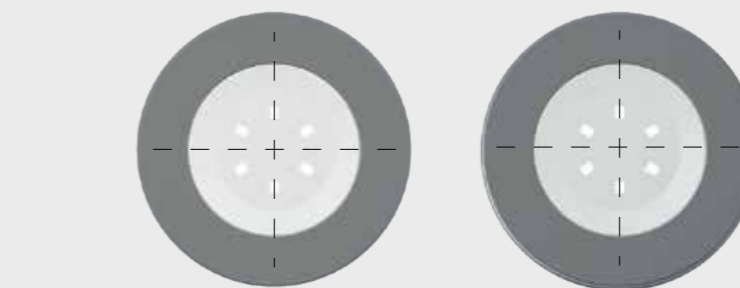
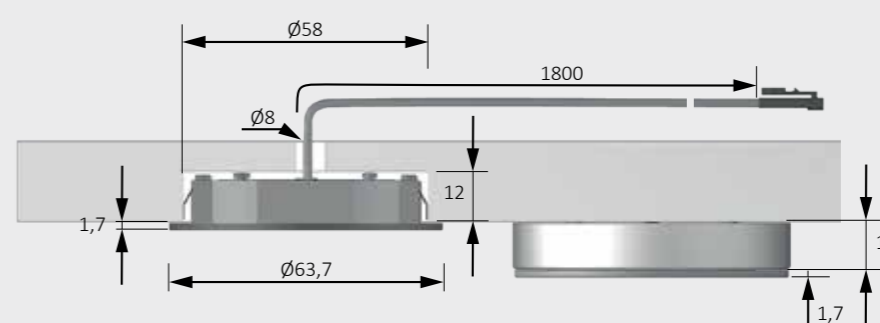
Surface-mounted housing in stainless steel look	36 244 09
LED ballast 20 W with flat Euro plug	31 016 01
M1 extension lead 1800 mm	36 768 01
M1 3-way distributor 180 mm	36 852 01
M1 6-way distributor 2000 mm	36 125 01

### Technical details



**Luminaire type:** LED recessed light  
**Type of lighting:** Functional / accent lighting  
**Surface finish:** Aluminium look / Stainless steel look  
**Operating voltage:** 12 V DC  
**Light colour:** WarmWhite / NeutralWhite  
**Colour rendering:** RA >80  
**Luminous flux:** 110 lm  
**Luminaire efficiency:** 73 lm/W  
**Light source efficiency:** 87 lm/W  
**Life span:** 40,000 h (L70)  
**Power consumption:** 1.5 W  
**Dimmable:** Yes/PWM/Smart.home  
**Beam angle:** 90°  
**Half value angle:** 60°  
**Test mark and symbols:** CE, RoHS, Energy Star  
**Protection rating:** IP 20  
**Installed diameter:** 58 mm  
**Supply lead:** 1800 mm  
**Plug connector:** LED mini M1 plug connector  
**Connection to:** LED ballast

Dimensional drawing / installation



\* Further accessories in section Switch systems